

A46JE/A46JRT

ARTICULATED BOOM LIFTS



- Class-leading articulated boom lifts
- Choose from electric or rough terrain diesel models
- Highly maneuverable with tight turning radius
- Superb working envelope with zero tailswing
- Robust, reliable and easy to operate

 **snorkel**
www.snorkellifts.com

ARTICULATED BOOM LIFTS

A46JE/A46JRT

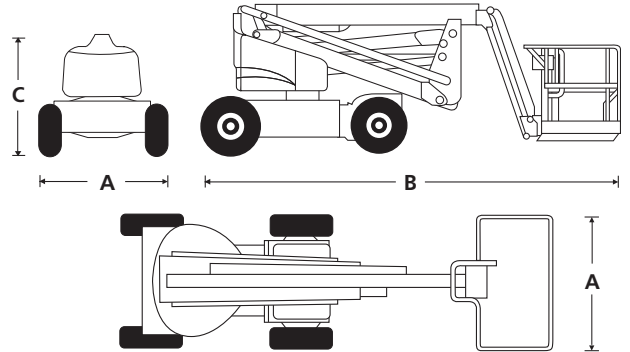
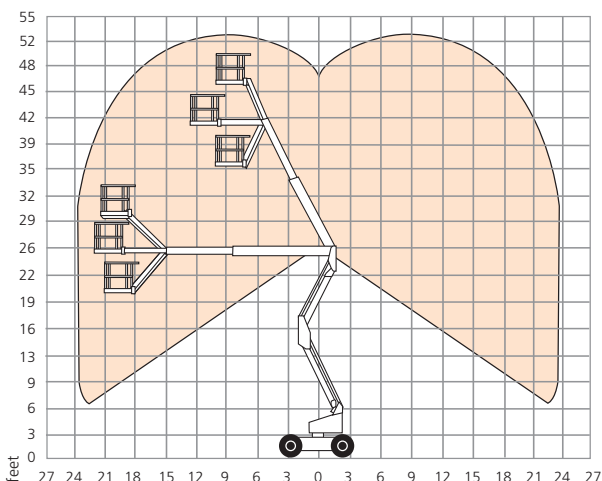
| DIMENSIONS | A46JE | A46JRT |
|-----------------------------------|---------------|---------------|
| Max. working height | 52 ft 3 in | 52 ft 11 in |
| Max. platform height | 46 ft 3 in | 46 ft 11 in |
| Max. horizontal reach | 24 ft 11 in | 24 ft 11 in |
| Clearance height at max. outreach | 24 ft 6 in | 25 ft 2 in |
| Platform size | 39 in x 72 in | 39 in x 72 in |
| Chassis width (A) | 5 ft 8 in | 6 ft 10 in |
| Overall length (B) | 18 ft 4 in | 18 ft 4 in |
| Stowed height (C) | 6 ft 6 in | 7 ft 2 in |
| Ground clearance | 6 in | 13 in |

| PERFORMANCE | A46JE | A46JRT |
|-----------------------------|---|--------------------------|
| Platform capacity (SWL) | 500 lbs | 500 lbs |
| Max. wind speed | 28 mph | 28 mph |
| Max. drive height | 46 ft 3 in | 46 ft 11 in |
| Max. drive speed (stowed) | 3.2 mph | 4.0 mph |
| Max. drive speed (elevated) | 0.5 mph | 0.8 mph |
| Jib length | 5 ft | 5 ft |
| Jib arc | 140° | 140° |
| Platform rotation | 160° | 160° |
| Superstructure rotation | 360° non-continuous | 360° non-continuous |
| Tailswing | 0 in | 0 in |
| Raise/lower time | 99/92 seconds | 101/98 seconds |
| Gradeability | 30% | 40% |
| Inside turning radius | 2 ft | 2 ft 8 in |
| Outside turning radius | 9 ft 10 in | 10 ft 5 in |
| Tires | non-marking, foam filled IN240/55D 17.5 | pneumatic lug 355/55D625 |
| Controls | proportional | proportional |
| Drive system | 2 wheel drive | 4 wheel drive |

| POWER | A46JE | A46JRT |
|--------------|------------------------|---|
| Power source | 8 x 6V 360Ah batteries | Kubota V1505 24.9hp diesel Tier 4 Final |

| WEIGHT | A46JE | A46JRT |
|--------|------------|------------|
| Weight | 15,100 lbs | 16,330 lbs |

WORKING ENVELOPE



STANDARD FEATURES

- Snorkel Guard™ secondary guarding system
- Multi-function proportional controls
- Oscillating front axle (A46JRT only)
- Tri-entry platform
- Power line to platform
- Hour meter
- Tilt alarm
- Horn
- Drive motion alarm
- Flashing amber light
- 2 year parts & labor, 5 year structural warranty
- ANSI compliant

OPTIONS

- Special paint colors
- Airline to platform (A46JRT only)
- Foam filled lug tires (A46JRT only)
- Non-marking tires (A46JRT only)
- AC generator 110V/240V (A46JRT only)
- 5' steel platform
- Aircraft package
- Deluxe aircraft package
- Cold weather package (A46JRT only)
- Extreme cold weather package (A46JRT only)
- Light package
- Protection package
- CSA compliant

snorkel www.snorkellifts.com

P.O. Box 1160
 St. Joseph, MO 64502-1160, USA
 Tel: 1 (785) 989-3000
 Toll-free: 1 (800) 255-0317
 Fax: 1 (785) 989-3070
 Email: sales.usa@snorkellifts.com